
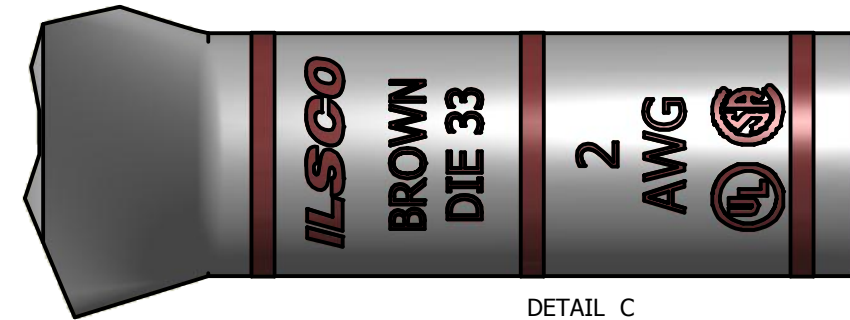
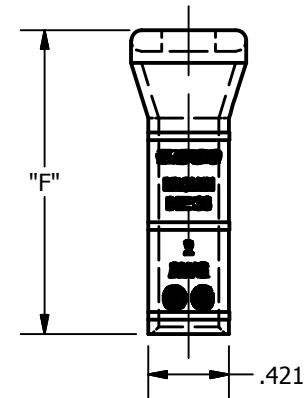
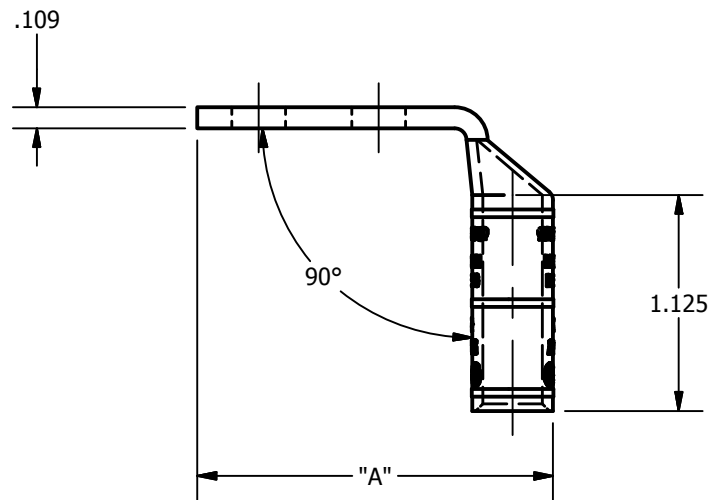
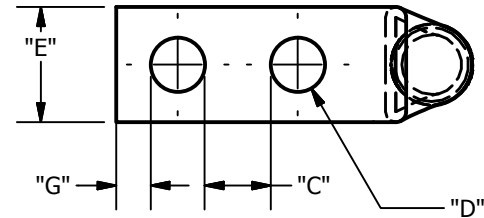


|                             |                    |                         |  |
|-----------------------------|--------------------|-------------------------|--|
| SCREW: NONE                 | MATERIAL: COPPER   | REV: C                  | <br>800-776-9775 www.ilSCO.com |
| CAT. NO.: SEE CHART         | PLATING: EL-TIN    | DRAWN BY: DW SCALE: 1:1 |  |
| INFORMATION SHEET: FORM 157 | MARKING: SEE CHART | DATE: 6/3/2008 SIZE: B  |  |
|                             |                    |                         | DWG NO: <b>Y0503-D-9</b>   |
|                             |                    |                         | SHEET: 1 OF 1  |



DETAIL C  
INK MARK TOP & BOTTOM

| CATALOG NUMBER   | "A"   | "C"   | "D"   | "E"   | "F"   | "G"   | TANG MARKING  |
|------------------|-------|-------|-------|-------|-------|-------|---|
| CLNB-2-10-12-9   | 1.794 | 0.281 | 0.219 | 0.599 | 1.620 | 0.148 | UL, ILSCO, CSA, CLNB-2-10-12-9, 10 x 1/2, 2 AWG, DIE 33       |
| CLNB-2-10-58-9   | 1.794 | 0.406 | 0.219 | 0.599 | 1.620 | 0.148 | UL, ILSCO, CSA, CLNB-2-10-58-9, 10 x 5/8, 2 AWG, DIE 33       |
| CLNB-2-10-1116-9 | 1.794 | 0.468 | 0.219 | 0.599 | 1.620 | 0.148 | UL, ILSCO, CSA, CLNB-2-10-1116-9, 10 x 11/16, 2 AWG, DIE 33   |
| CLNB-2-10-34-9   | 1.981 | 0.531 | 0.219 | 0.599 | 1.620 | 0.148 | UL, ILSCO, CSA, CLNB-2-10-34-9, 10 x 3/4, 2 AWG, DIE 33       |
| CLNB-2-10-1-9    | 2.231 | 0.781 | 0.219 | 0.599 | 1.620 | 0.148 | UL, ILSCO, CSA, CLNB-2-10-1-9, 10 x 1, 2 AWG, DIE 33          |
| CLNB-2-14-12-9   | 1.794 | 0.219 | 0.281 | 0.599 | 1.620 | 0.180 | UL, ILSCO, CSA, CLNB-2-14-12-9, 1/4 x 1/2, 2 AWG, DIE 33      |
| CLNB-2-14-58-9   | 1.981 | 0.344 | 0.281 | 0.599 | 1.620 | 0.180 | UL, ILSCO, CSA, CLNB-2-14-58-9, 1/4 x 5/8, 2 AWG, DIE 33      |
| CLNB-2-14-34-9   | 1.981 | 0.469 | 0.281 | 0.599 | 1.620 | 0.180 | UL, ILSCO, CSA, CLNB-2-14-34-9, 1/4 x 3/4, 2 AWG, DIE 33      |
| CLNB-2-14-1-9    | 2.231 | 0.719 | 0.281 | 0.599 | 1.620 | 0.180 | UL, ILSCO, CSA, CLNB-2-14-1-9, 1/4 x 1, 2 AWG, DIE 33         |
| CLNB-2-516-58-9  | 1.981 | 0.282 | 0.343 | 0.599 | 1.620 | 0.180 | UL, ILSCO, CSA, CLNB-2-516-58-9, 5/16 x 5/8, 2 AWG, DIE 33    |
| CLNB-2-516-34-9  | 2.231 | 0.407 | 0.343 | 0.599 | 1.620 | 0.180 | UL, ILSCO, CSA, CLNB-2-516-34-9, 5/16 x 3/4, 2 AWG, DIE 33    |
| CLNB-2-516-78-9  | 2.231 | 0.532 | 0.343 | 0.599 | 1.620 | 0.180 | UL, ILSCO, CSA, CLNB-2-516-78-9, 5/16 x 7/8, 2 AWG, DIE 33    |
| CLNB-2-516-1-9   | 2.481 | 0.657 | 0.343 | 0.599 | 1.620 | 0.180 | UL, ILSCO, CSA, CLNB-2-516-1-9, 5/16 x 1, 2 AWG, DIE 33       |
| CLNB-2-516-134-9 | 3.044 | 1.407 | 0.343 | 0.599 | 1.620 | 0.180 | UL, ILSCO, CSA, CLNB-2-516-134-9, 5/16 x 1-3/4, 2 AWG, DIE 33 |
| CLNB-2-38-34-9   | 2.231 | 0.344 | 0.406 | 0.599 | 1.620 | 0.211 | UL, ILSCO, CSA, CLNB-2-38-34-9, 3/8 x 3/4, 2 AWG, DIE 33      |
| CLNB-2-38-78-9   | 2.481 | 0.469 | 0.406 | 0.599 | 1.620 | 0.211 | UL, ILSCO, CSA, CLNB-2-38-78-9, 3/8 x 7/8, 2 AWG, DIE 33      |
| CLNB-2-38-1-9    | 2.481 | 0.594 | 0.406 | 0.599 | 1.620 | 0.211 | UL, ILSCO, CSA, CLNB-2-38-1-9, 3/8 x 1, 2 AWG, DIE 33         |
| CLNB-2-38-116-9  | 2.481 | 0.656 | 0.406 | 0.599 | 1.620 | 0.211 | UL, ILSCO, CSA, CLNB-2-38-116-9, 3/8 x 1-1/6, 2 AWG, DIE 33   |
| CLNB-2-38-118-9  | 2.669 | 0.719 | 0.406 | 0.599 | 1.620 | 0.211 | UL, ILSCO, CSA, CLNB-2-38-118-9, 3/8 x 1-1/8, 2 AWG, DIE 33   |
| CLNB-2-38-134-9  | 3.169 | 1.344 | 0.406 | 0.599 | 1.620 | 0.211 | UL, ILSCO, CSA, CLNB-2-38-134-9, 3/8 x 1-3/4, 2 AWG, DIE 33   |
| CLNB-2-38-2-9    | 3.169 | 1.594 | 0.406 | 0.599 | 1.620 | 0.211 | UL, ILSCO, CSA, CLNB-2-38-2-9, 3/8 x 2, 2 AWG, DIE 33         |
| CLNB-2-12-1-9    | 2.669 | 0.438 | 0.562 | 0.750 | 1.620 | 0.265 | UL, ILSCO, CSA, CLNB-2-12-1-9, 1/2 x 1, 2 AWG, DIE 33         |
| CLNB-2-12-114-9  | 3.044 | 0.688 | 0.562 | 0.750 | 1.620 | 0.265 | UL, ILSCO, CSA, CLNB-2-12-114-9, 1/2 x 1-1/4, 2 AWG, DIE 33   |
| CLNB-2-12-112-9  | 3.169 | 0.938 | 0.562 | 0.750 | 1.620 | 0.265 | UL, ILSCO, CSA, CLNB-2-12-112-9, 1/2 x 1-1/2, 2 AWG, DIE 33   |
| CLNB-2-12-134-9  | 3.169 | 1.188 | 0.562 | 0.750 | 1.620 | 0.265 | UL, ILSCO, CSA, CLNB-2-12-134-9, 1/2 x 1-3/4, 2 AWG, DIE 33   |
| CLNB-2-12-178-9  | 3.169 | 1.313 | 0.562 | 0.750 | 1.620 | 0.265 | UL, ILSCO, CSA, CLNB-2-12-178-9, 1/2 x 1-7/8, 2 AWG, DIE 33   |
| CLNB-2-38-58-9   |       | 0.219 | 0.406 | 0.599 |       | 0.211 | UL, ILSCO, CSA, CLNB-2-38-58-9, 3/8 x 5/8, 2 AWG, DIE 33      |